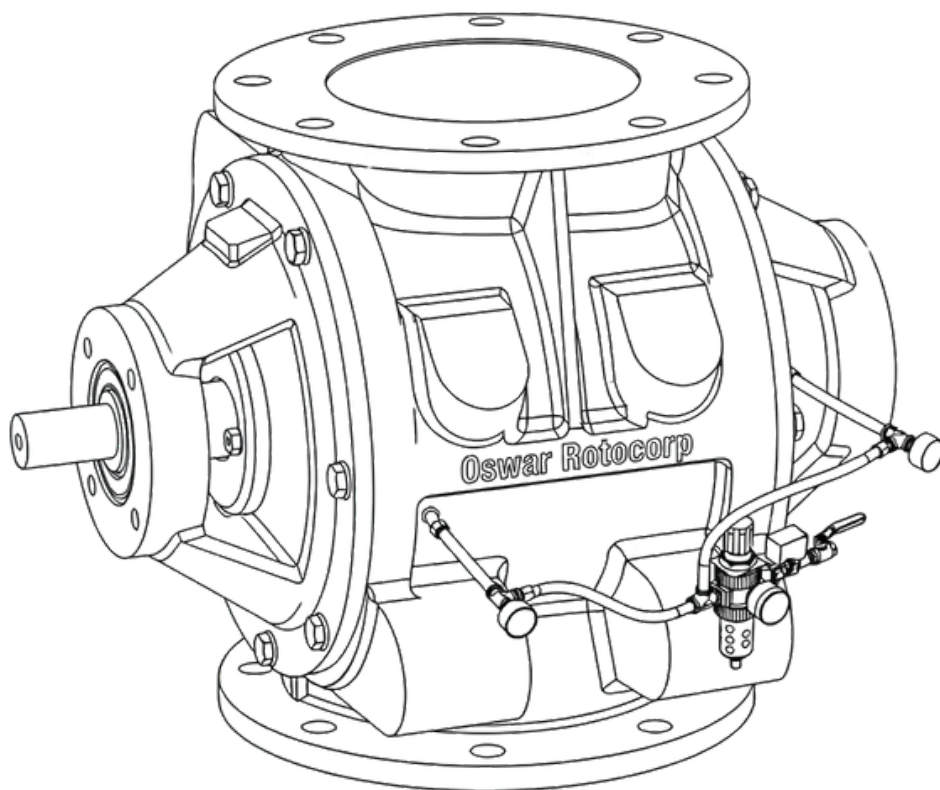



# ROTARY VALVE

## ZERO LEAKAGE SERIES



**OSWAR**  
rotocorp



The Rotary Valve X-ZL Zero Leakage Series is engineered for applications where airlock integrity and leakage control are critical to process efficiency and energy conservation.

Designed with advanced sealing technology and precision-controlled rotor clearances, the X-ZL platform minimizes air loss across pressure differentials, ensuring superior system efficiency in both pressure and vacuum applications.

## KEY ADVANTAGES

ULTRA-LOW AIR  
LEAKAGE DESIGN

PRECISION-  
CONTROLLED  
ROTOR  
CLEARANCES

ENHANCED  
SEALING  
TECHNOLOGY

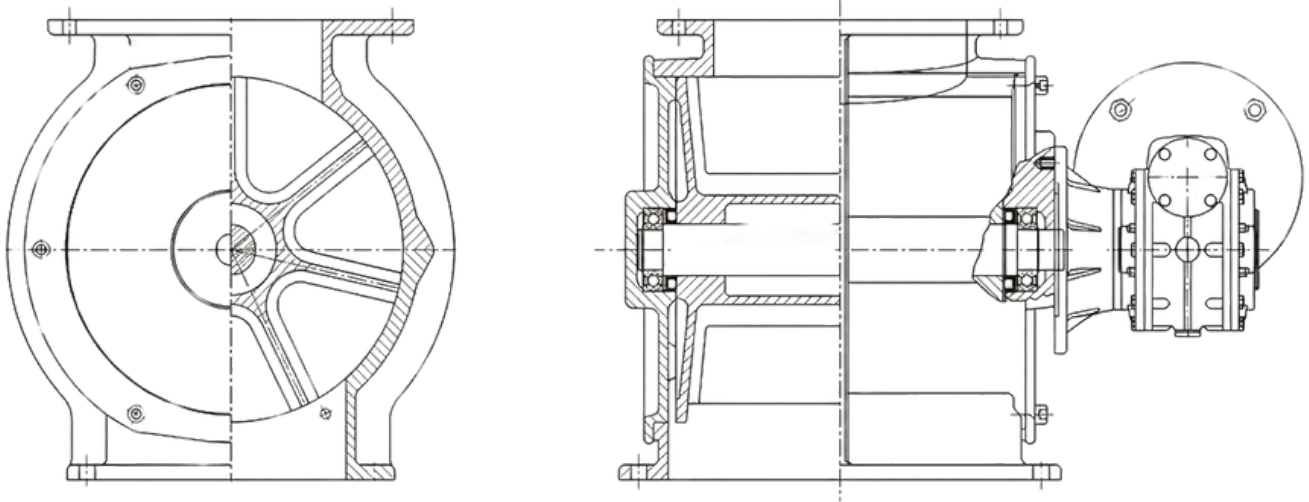
IMPROVED  
ENERGY  
EFFICIENCY &  
PROCESS  
STABILITY

# ENGINEERED FOR MAXIMUM AIRLOCK INTEGRITY

The Rotary Valve X-ZL Series is manufactured with high-precision CNC-machined housings and tightly controlled rotor-to-housing tolerances to reduce internal air bypass.

Advanced sealing configurations, including enhanced shaft seals and optimized tip clearances, are integrated to minimize leakage while maintaining smooth material discharge.

The structural design ensures dimensional stability under varying pressure and temperature conditions, preserving airlock performance over extended operational cycles.



## ENGINEERING FEATURES

- High-precision CNC-machined housing
- Tight rotor-to-housing clearances
- Advanced shaft sealing systems
- Optimized rotor tip configuration
- Reinforced structural construction

# CRITICAL APPLICATIONS REQUIRING LEAKAGE CONTROL

## Typical Applications:

- High-Pressure Pneumatic Conveying
- Vacuum Conveying Systems Dust
- Collection & Emission Control
- Controlled Atmosphere Processing
- Fine Powder & Chemical Feeding

## Industries Served:

- Cement Manufacturing
- Power Generation
- Chemical Processing Plants
- Pharmaceutical & Food Industries



# OSWAR

## rotocorp

### **Corporate Office**

Jaipur, Rajasthan India  
Nagpur, Maharashtra India

### **Sales Inquiries**

[info@oswarrotocorp.com](mailto:info@oswarrotocorp.com)

### **Helpline**

[+44 7917 128505](tel:+447917128505) | [+91 77422 36474](tel:+917742236474)

**Copyright** © 2026 OSWAR ROTOCORP. All Rights Reserved. OSWAR® is a registered trademark of **OSWAR ROTOCORP**. This brochure makes no offers, representations or warranties (express or implied), and information and data contained in this brochure are for general reference only and may change at any time.